

LHB08-Series

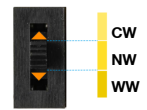


A	B	C
240 (W)	200 (W)	150 (W)

A	B	C
200 (W)	150 (W)	100 (W)

A	B	C
150 (W)	120 (W)	80 (W)

A	B	C
100 (W)	80 (W)	60 (W)



Sosen Driver

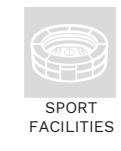


KEY ADVANTAGES

- Professional light distribution maximizes lumen efficiency.
- Integrated Heat dissipation design thanks to the extrusion process casing.
- Rectangular light design tailored for warehouse aisles.
- Multiple mounting options for replacement and new installations.
- Revolutionary linear design, different from traditional flood lights.
- Adjustable hood for customized shading angles.
- High visual comfort with no hazardous materials.
- Fast ROI due to long lifespan and low maintenance.

Applications

- PORT
- CAR PARKS
- EXHIBITION CENTERS
- SHOPPING MALLS
- INDUSTRIAL HALLS & WAREHOUSES
- MANUFACTURING WORKSHOPS
- SUBWAY/TRAIN STATIONS
- LOGISTICS CENTERS



GENERAL INFORMATION

Driver included	Yes
CE mark	Yes
RoHS compliant	Yes
Safety features	Open circuit protection Short circuit protection Overvoltage protection
Testing standard	LM-79-19 (all measurements in ISO17025 accredited laboratory)

HOUSING AND FINISH

Housing	Aluminium
Optic	Polycarbonate
Protector	Polycarbonate (with integrated lenses)
Housing finish	Electrostatic polyester powder coating
Standard colour(s)	RAL 9017 black
Tightness level	IP 65
Impact resistance	IK 09

OPERATING CONDITIONS

Operating temperature range (Ta)	-30°C to + 40°C
Operating Humidity	10-90%RH
Mounting Option	Ceiling mounting/Pendant mounting/ Bracket installation/Pole mounting
Warranty	5 years

Performance

Power	100W/150W/200W/240W
Efficacy	170lm/W,150lm/W
Power Efficiency	≥90%
Start Time	≤0.2S
Warm-up time to 60%	0.5S

ELECTRICAL INFORMATION

Electrical class	Class I EU
Nominal voltage	120-277V 50/60Hz
Power factor (at full load)	0.9
Surge protection options (kV)	6KV-Line-Line 6KV-Line-Earth
Electromagnetic compatibility (EMC)	EN 55015:2019/A11:2020, EN 61000-3-2:2019, EN 61000-3-3:2013, EN 61547:2009, EN 62493:2015
Total Harmonic Distortion(THD)	IEC 61000-3-2 Class C <20%
Driver Type	Constant current(CC)
For fixed Class 1 luminaires, overvoltage protective devices which comply with IEC 61643-11 shall be disconnected from the circuit.	
withstand voltage	1.5KV 60S 10mA

※Lamp switch must control L line or control L and N lines.

OPTICAL INFORMATION

LED Type	SMD3030 / SMD5050
Beam Angle	90° / 30x70° / 60x90° / 40x110° / 60x110° / 80x110°
Recommended installation height	6m
Color Tolerance	Ra70 ≤7 Ra80 ≤5
LED colour temperature	3000K / 4000K / 5000K / 5700K / 6500K
Colour rendering index (CRI)	CRI>70 standard CRI>80 optional
Upward Light Output Ratio (ULOR)	0%

※Ra measurement tolerance is ±2.

LIFETIME OF THE LEDS @ TA 25°C

All configurations	
L70B50	>100,000h
L80B20	>50,000h
L90B10	>30,000h
Switching Cycles	>100,000 times

PRO VERSION

POWER	LUMENS	EFFICACY
100W	17,000LM	170LM/W(Ra70)
	16,000LM	160LM/W(Ra80)
150W	25,500LM	170LM/W(Ra70)
	24,000LM	160LM/W(Ra80)
200W	34,000LM	170LM/W(Ra70)
	32,000LM	160LM/W(Ra80)
240W	38,600LM	165LM/W(Ra70)
	37,200LM	155LM/W(Ra80)

STANDARD VERSION

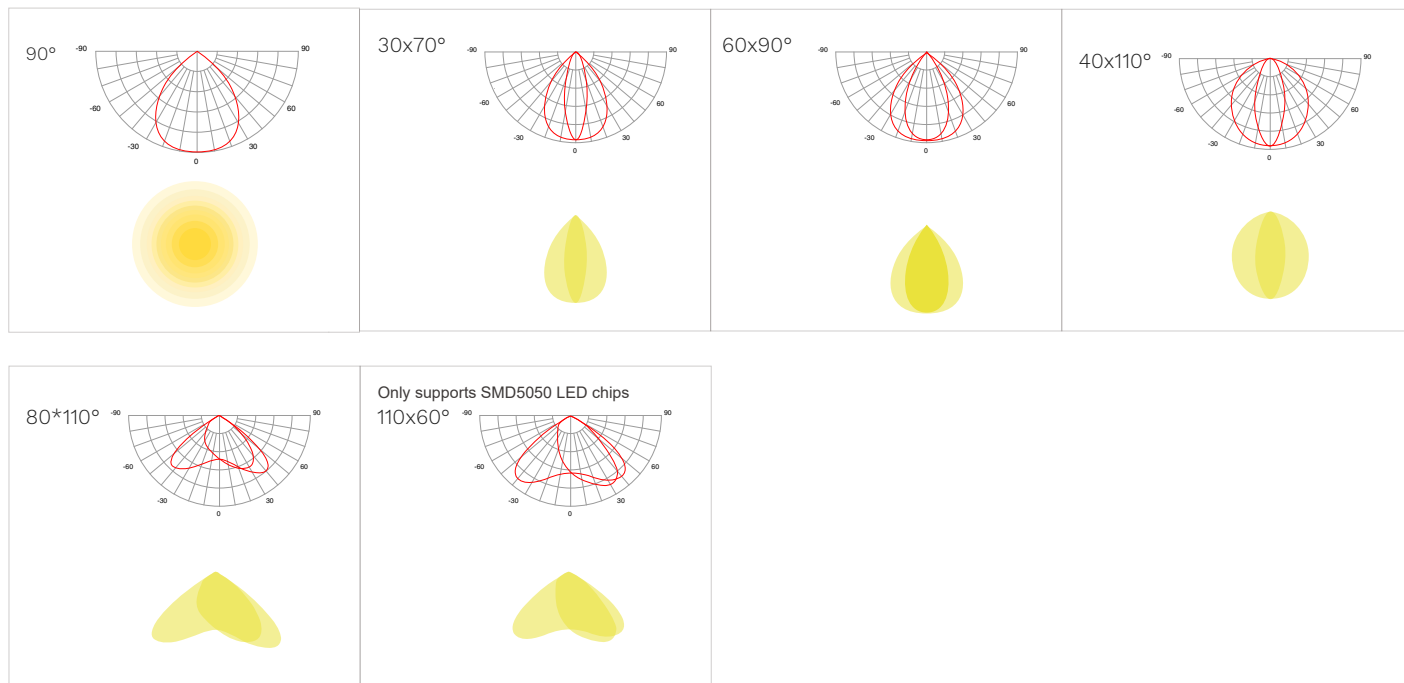
POWER	LUMENS	EFFICACY
100W	15,000LM	150LM/W(Ra70)
	14,000LM	140LM/W(Ra80)
150W	22,500LM	150LM/W(Ra70)
	21,000LM	140LM/W(Ra80)
200W	30,000LM	150LM/W(Ra70)
	28,000LM	140LM/W(Ra80)
240W	34,800LM	145LM/W(Ra70)
	32,400LM	135LM/W(Ra80)

※The Performance Data is tested base on 230VAC, 60x90° and 4000K for all versions
 ※Power Consumption Tolerance ±5% (Apply to all versions)
 ※Lumen Efficiency Tolerance ±5% (Apply to all versions)
 ※When using a 30x70° configuration, the light efficiency decreases by 10%
 ※When using 40x110° configuration, the light efficiency decreases by 5%

PACKAGING

POWER	PACKAGE SIZE	QTY/CTN	SINGLE PIECE VOLUME	NET WEIGHT	GROSS WEIGHT	20GP	40HQ
100W	L760*W158*H117mm	1PCS/CTN	0.0140m ³	4.8KG	5.6KG	1851pcs	4698pcs
150W	L760*W158*H117mm	1PCS/CTN	0.0140m ³	4.8KG	5.6KG	1851pcs	4698pcs
200W	L760*W158*H117mm	1PCS/CTN	0.0140m ³	4.8KG	5.6KG	1851pcs	4698pcs
240W	L760*W158*H117mm	1PCS/CTN	0.0140m ³	4.8KG	5.6KG	1851pcs	4698pcs

LIGHT DISTRIBUTIONS



OPTIONAL ACCESSORIES

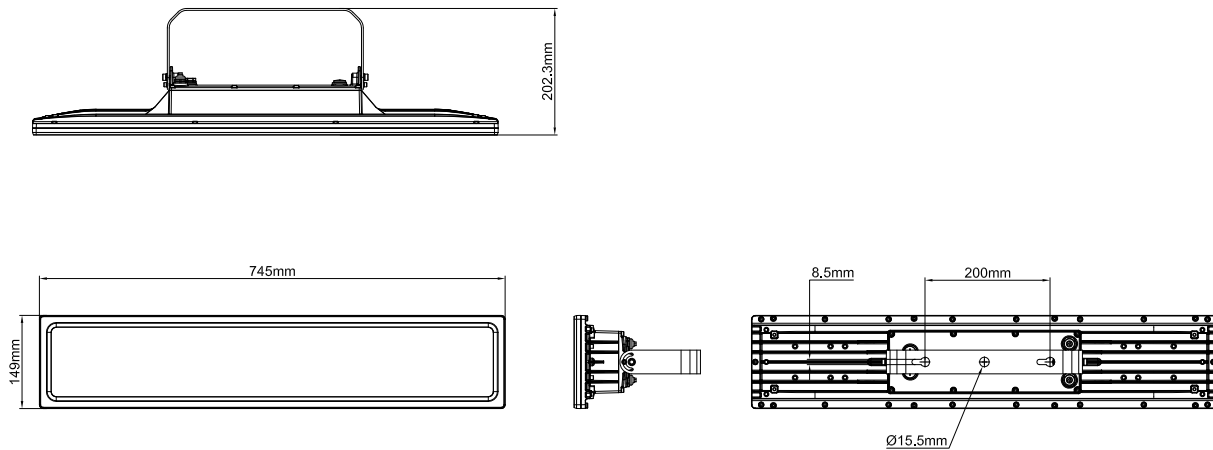


ACCESSORIES



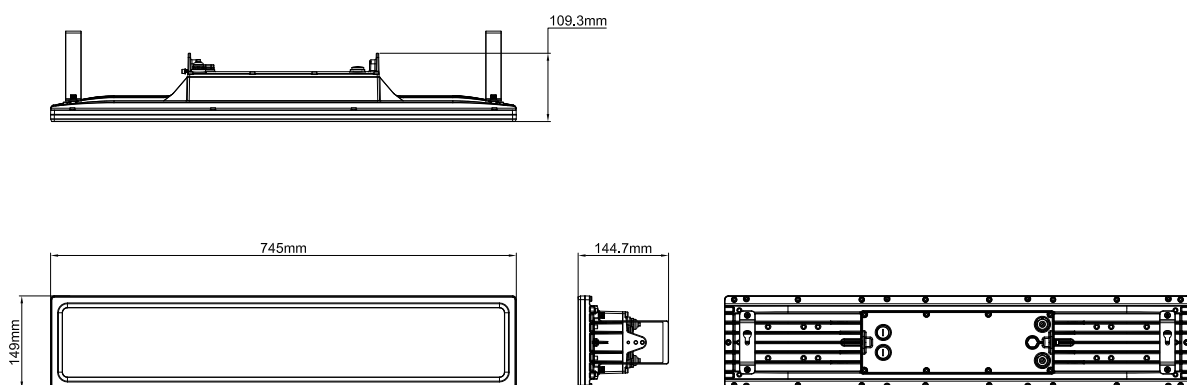
Connecting the cable requires an IP65 Tightness level

100W/150W/200W/240W



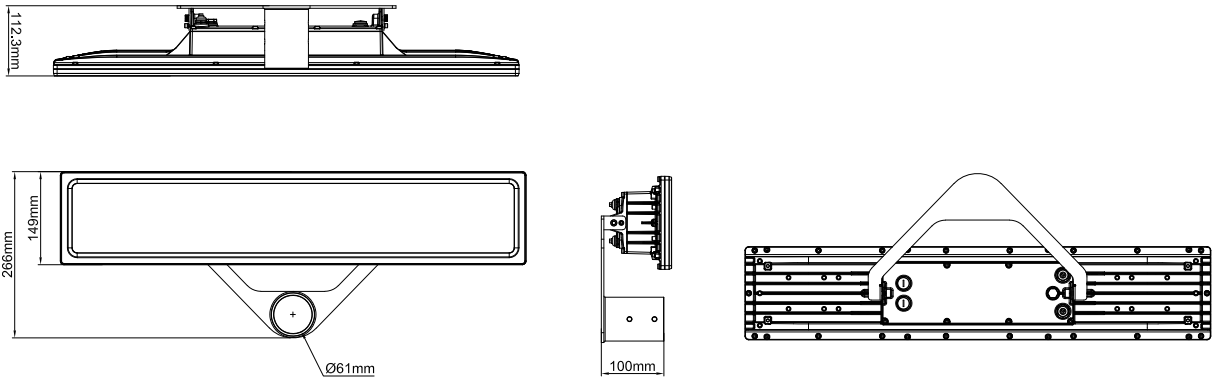
Pendant mounting

100W/150W/200W/240W



Connecting the cable requires an IP65 Tightness level

100W/150W/200W/240W



Pendant mounting

100W/150W/200W/240W

